

3M™ Water Filtration



Professional Water Quality Management Solutions for Commercial Foodservice Applications

Recipe Quality Water™

Designed to help provide the taste, appearance and consistency of your food and beverages for continued customer satisfaction

Features

- IMPACT media package in large cartridges
- SQC (Sanitary Quick Change) cartridge
- Encapsulated cartridge design with 'O' rings
- 0.2 micron media
- 1.0 and 3.0 micron media
- System with inlet shut-off valve or patented valve-in head design
- NSF Standard 53* / Standard 42 certified

Benefits

- Higher flow rates, no need for manifold systems or separate pre-filter and housing
- Allows fast and easy change-outs and avoids contamination of filter media
- Minimizing possibility of water leakage
- Removes over 99.99% of water-borne heterotrophic bacteria & protects customers from cyst
- Combined sediment reduction with chlorine, taste and odor reduction for high dirt loading applications
- Easy to change cartridge using un-skilled staff
- Independent qualification of performance and guarantee of product safety

* Applies to BEV120, BEV130, BEV140, BEV160 and BEV190 only

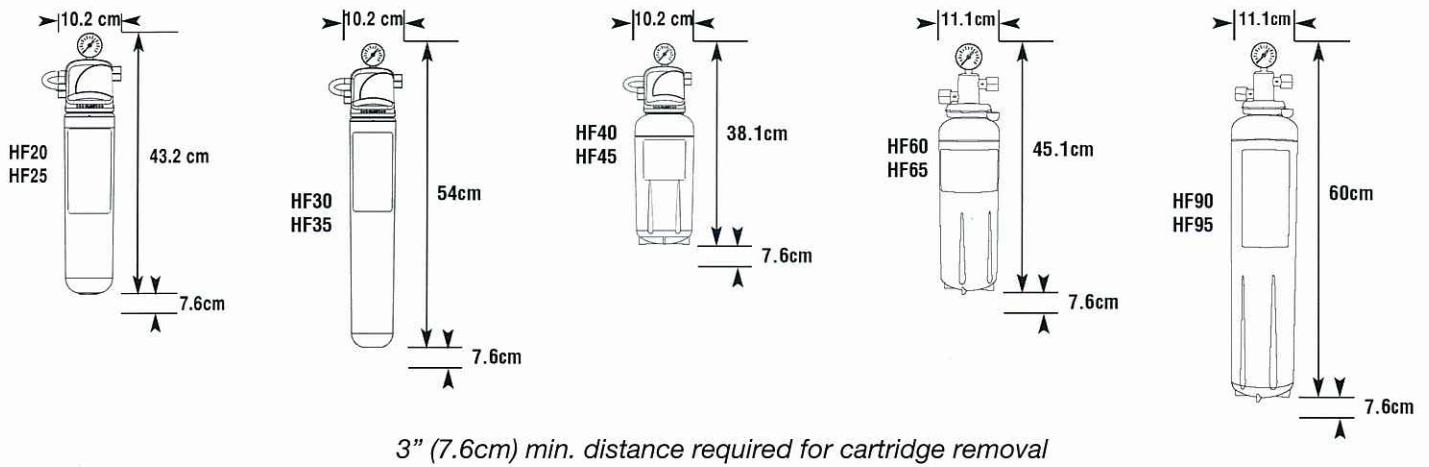
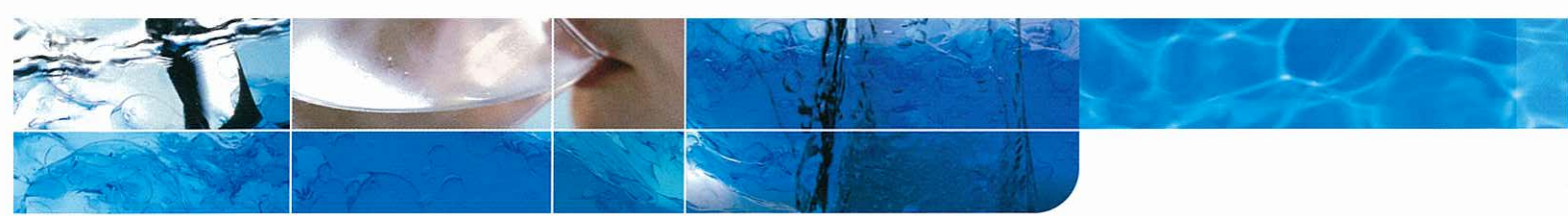
IMPACT Technology

Integrated **M**embrane **P**re-**A**ctivated **C**arbon **T**echnology media combines a high surface area pleated media and a pre-activated carbon block in a single cartridge to dramatically reduce pressure drop, provide higher throughputs and longer cartridge life, while eliminating the need for pre-filtration.

This unique technology combines sediment, cyst and bacteria reduction with chlorine taste and odor reduction in a single cartridge. Cartridges with scale prevention technology and chloramine reduction are also available.

For the 0.2 micron rated products, water first flows through a patented multi-zone, pleated nylon membrane which provides exceptionally high surface area. The first zone – with larger openings – retains the large particles like sediment and rust. The finer second zone traps the smallest contaminants like cyst and bacteria and gives a final polish. Water then flows through a pre-activated carbon block to reduce chlorine taste and odor and other organics. The patented rigid block ensures that no carbon fines are released into the water.





Technical Specifications

Model/ System	Capacity (Litres)	Micron Rating	Flow (lpm)	Water Applications*	Reduction Claims				Filter Head		Cartridge IMPACT	
					Chlorine Taste & Odor	Sediment	Cyst	Bacteria	Model	Connections	Model	NY/P**
BEV 120	34,069	0.5	5.7	SWC	•	•	•		VH3-BSP	3/8"	HF20	
BEV 125	37,854	1	5.7	HTW	•	•			VH3-BSP	3/8"	HF25	
BEV 130	52,996	0.5	6.3	SWC	•	•	•		VH3-BSP	3/8"	HF30	
BEV 135	47,696	1.0	6.3	HTW	•	•			VH3-BSP	3/8"	HF35	
BEV 140	94,635	0.2	7.9	SWC	•	•	•	•	VH3-BSP	3/8"	HF40	NY
BEV 145	94,635	3.0	7.9	HTW	•	•			VH3-BSP	3/8"	HF45	P
BEV 160	132,489	0.2	12.6	SWC	•	•	•	•	NH3-B3P	1/2"	HF60	NY
BEV 165	132,489	3.0	12.6	HTW	•	•			NH3-BSP	1/2"	HF65	P
BEV 190	204,412	0.2	18.9	SWC	•	•	•	•	NH3-BSP	1/2"	HF90	NY
BEV 195	204,412	3.0	18.9	HTW	•	•			NH3-BSP	1/2"	HF95	P

* SWC = Standard water conditions; HTW = High turbidity water

** NY = Nylon membrane; P = Polypropylene pleated media

System includes a head assembly with integral mounting bracket, pressure gauge and a single cartridge filter.

System maximum operating pressure of 125psi and operating temperature of 38°C

Inlet and Outlet connections are female.

Filter cartridges require no pre-activation and incorporate a carbon block media.

Do not use with water that is microbiologically unsafe or of unknown quality without adequate disinfection before or after the system

For commercial use only with cold water.

A NSF Performance Data Sheet (PDS) is included.

The removal of over 99.99% of water-borne heterotrophic bacteria by membrane filtration as tested with E.coli and Pseudomonas Fluorescens.

NSF and CFR-21 certified for use of materials in contact with drinking water.

Systems certified for cyst reduction may be used on disinfected water that may contain filterable cysts.

EPA Establishment Number 070595-CT-001.

3M recommends regularly scheduled maintenance and replacement of the filter cartridge(s) in order for the product to perform as advertised/sold.

Change the filter cartridge at least every 6 months.

3M shall not be liable for system failures due to improper maintenance.



3M Water Filtration

3M Hong Kong Limited

5th Floor, Victoria Centre
15 Watson Road, Hong Kong
Tel: 852-2806 6111
Fax: 852-2807 0976



Visit www.nsf.org for the claims associated with products that are NSF listed